

F16 Climbing Formwork

The lightest climbing template system for crane lifting

Designed for vertical concrete structures

DESCRIPTION

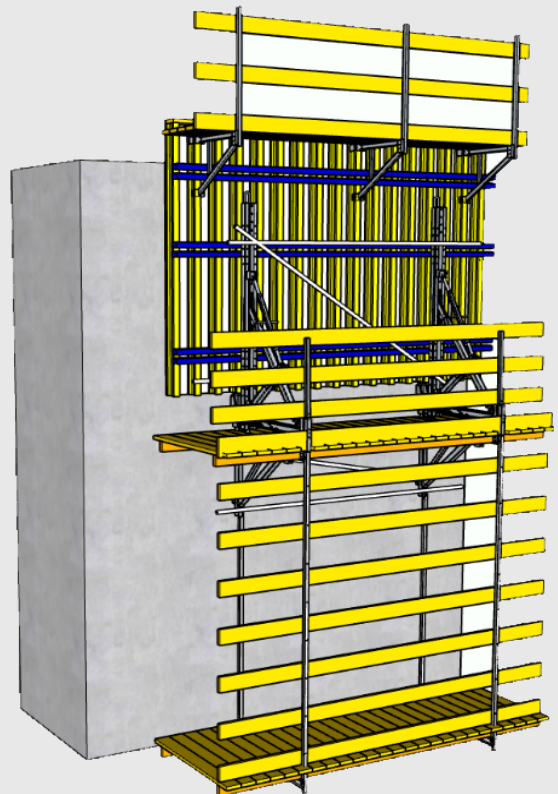
F16 climbing formwork is composed of ForPro large-size panel system, F16 climbing bracket system, anchoring system and platform system. It requires only a small tonnage crane to complete the overall lifting of templates and hangers, which not only greatly shortens the duration and reduces the difficulty of on-site construction, but also greatly increases the safety of site work.

Considering the convenience of on-site construction, F16 has set up a multi-stage platform to ensure the safety and convenience of on-site construction.

In real-world engineering, hydraulic self-climbing templates do not apply due to limited budgets and sites for certain projects. In order to solve this kind of problem, ForPro has developed a very light weight, easy-to-operate climbing template. A small number of workers, a crane, can complete the concrete pouring work. In addition, lower than the price of ordinary climbing mold and hydraulic climbing mold, but also to provide customers with a brand-new template solution.

Every detail is designed for our customers.

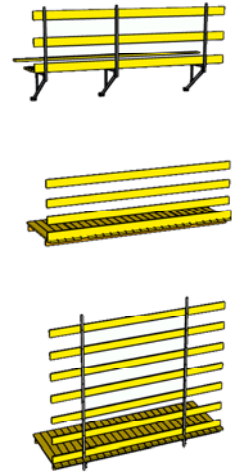
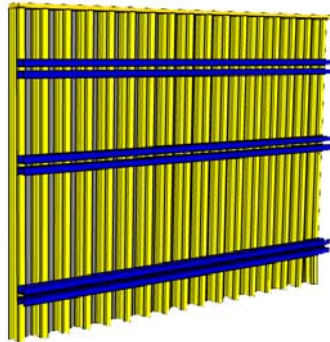
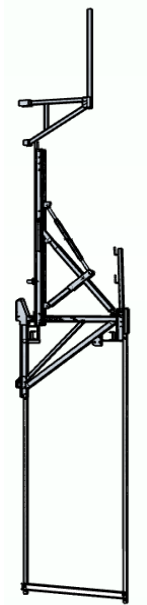
Sketch



COMPONENTS

F16 climbing formwork is composed of 4 main system: large-size panel, F16 climbing bracket, anchoring and platform system. large-size panel ensures the quality of pouring; F16 climbing bracket fine tunes the position of large templates; The F16 anchoring system ensures that the whole system is safely and reliably anchored to the concrete structure.

Components Overview



F16 Climbing Bracket System

hanger system is the core part of F16 climbing formwork system.

In the actual project, because its component composition is simple, easy and fast, not only can greatly reduce the duration, save valuable time for customers, but also flexible with the site template of various support height, convenient on-site operation.

F16 climbing bracket system is especially simple and economical.

Large-size Panel System

Large-size panel system can be up to 6m.

Plywood ensures the effect of clear water concrete. Thanks to the good deformation resistance and light weight of the workwood, safety and convenience in the pouring process are guaranteed, and the flexible combination of the wood and plywood ensures that it can be applied to concrete projects of all shapes

Platform System

The platform system is an important auxiliary part of the F16 climb template system.

In the design, in order to meet the needs of different projects, the lower suspension platform can be selected according to the needs, height can also be customized according to the project. In addition, the platform has two options: steel platform and wood platform, which meet the needs of different projects.

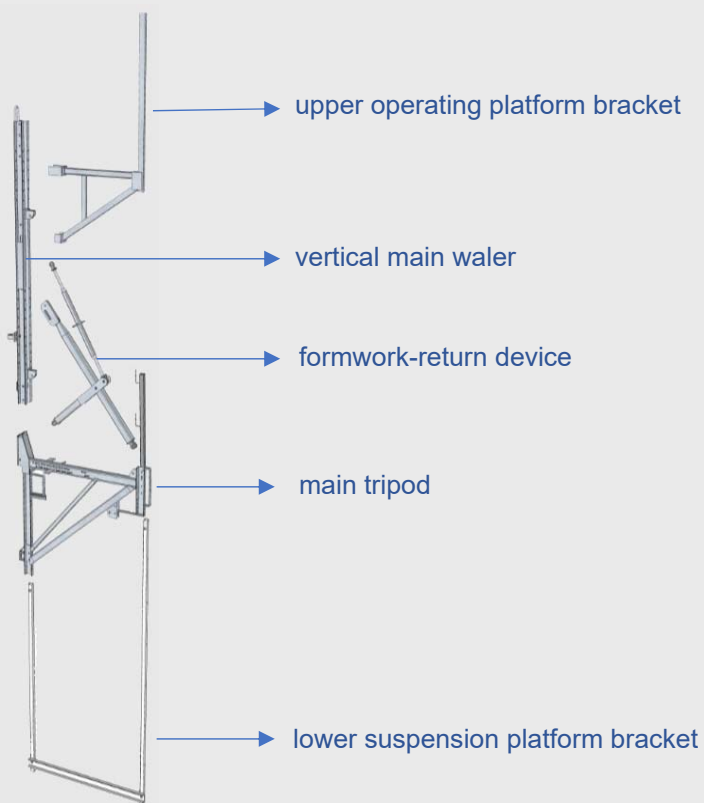
F16 Climbing Bracket System

The F16 hanger system is simple in structure and has a very light weight. Thanks to its ingenious design and lightweight construction, the F16 hanger system makes it easy to implement a wide range of functions, including die-in, die-out, and more.

Every detail of the F16 hanger system is designed for convenience

F16 Climbing formwork system core design

Sketch



Description

The large template system and the hanger system are closely connected by the vertical main enclosure. Benefiting from the height adjuster assembled on it, it can accurately adjust the top and bottom left and right position of the template to ensure the accuracy of the template position;

In the field use process, in order to meet the specific requirements of different customers, the lower suspension platform can be selected according to customer needs, its height can also be customized according to the specific circumstances of the project.

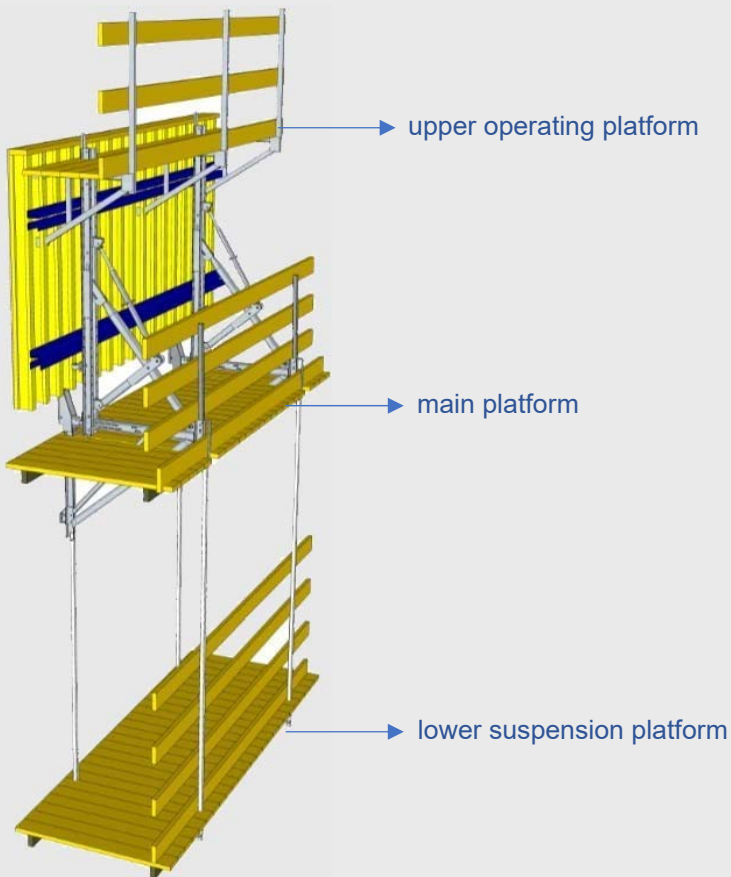
Platform System

In order to maximize customer convenience and save time and cost, the platform system was designed with the core idea of implementing different functions with different height differences. The modification of the molded surface from pouring to the completion of pouring is achieved through different height position platforms. In order to ensure the safety of workers when operating, all levels of the platform are equipped with guardrail railings and kickboards

Every detail of the platform system is designed for stability.

F16 climbing formwork system auxiliary design

Sketch



Description

The upper operating platform is the concrete pouring operating platform, on which workers can complete the pouring work. The platform has a width of 900mm and permitted live load is 1.5KN/m².

The middle platform is also called the main platform, the platform width is 1650mm, as the main operating platform of the template. Workers complete a series of actions related to templates, including template adjustment on this platform,

The lower suspension platform is a concrete modification platform, on which a series of modifications, including wind bracing installation and removal, climbing

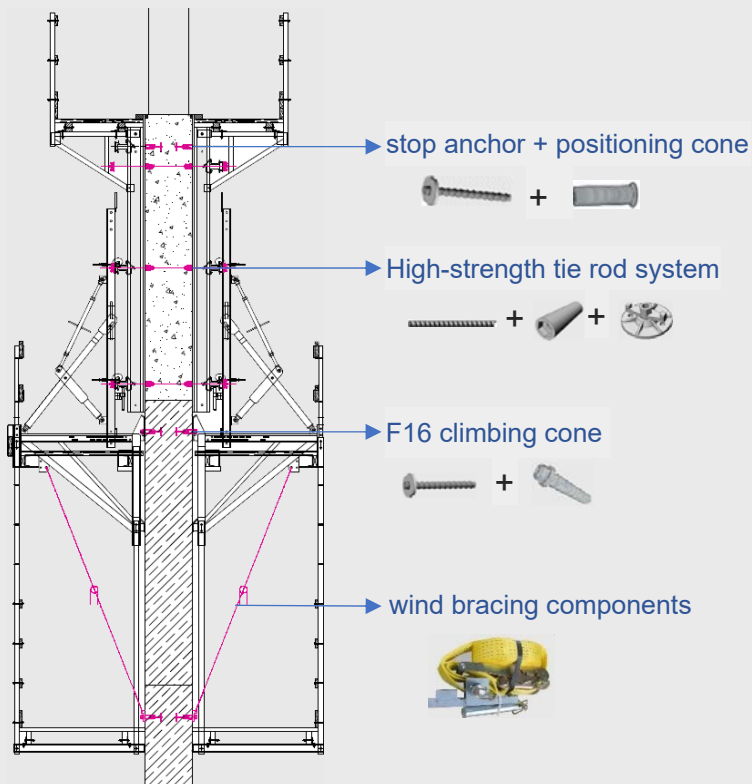
Anchoring System

The F16 anchoring system is mainly responsible for the safety guarantee function of the F16 climbing template system. In order to ensure the safety and firmness of anchoring, the anchoring system is designed with high safety in consideration, and the ultra-high strength of the cones and buried parts ensures absolute safety in normal construction conditions. In addition, the existence of the high-strength pull system ensures that the concrete side pressure can be passed smoothly to the foundation.

Every detail of the anchoring system is designed for safety.

F16 climbing formwork system safety guarantee design

Sketch



Description

The high-strength tie rod system includes high-strength tie rod, super plate and big nut. In order to ensure the safety of the whole system, the tie rod is also used to use a high-strength tie rod with a tensile strength design value of 100KN. The security of its use is fully guaranteed.

In the F16 anchoring system, the shear capacity of the climbing cone is 45KN and the tensile capacity is 70KN. It is completely meet all kinds of situations on site.